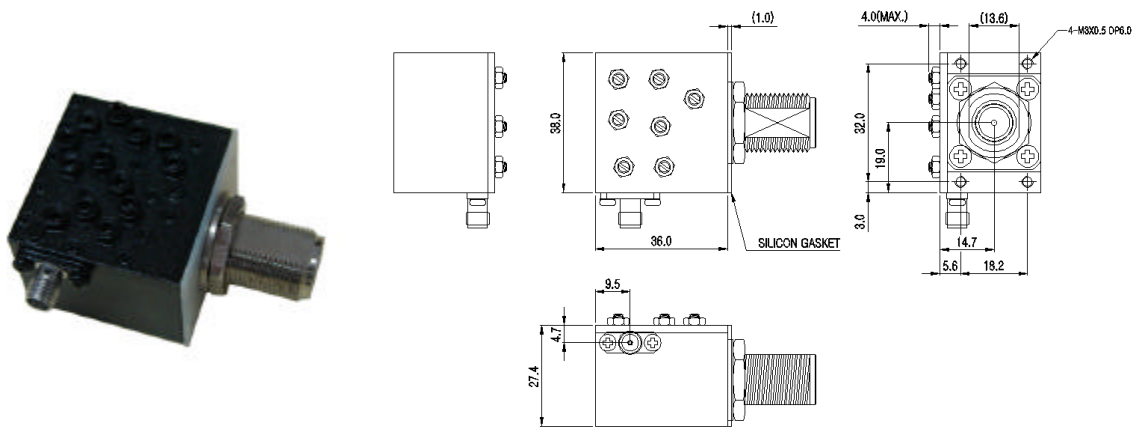


X-Band Full Band BPF



Item		Specifications
Frequency Range		7125~ 7750 MHz Fc=7437.5MHz
Insertion Loss (Max.)		1.0dB
Ripple (Max.)	Fc ± 312.5MHz	0.4dB
	In Band (18MHz)	0.3dB
Return Loss (Min.)		17.7dB
Attenuation (Min.)	Fc ± 800MHz	45dBc
	DC ~ 6250MHz	50dBc
	8650 ~ 14000MHz	50dBc
	14000 ~ 16000MHz	70dBc
In Port		SMA - Female
Out Port		N - Female
Weight (Max.)		200g