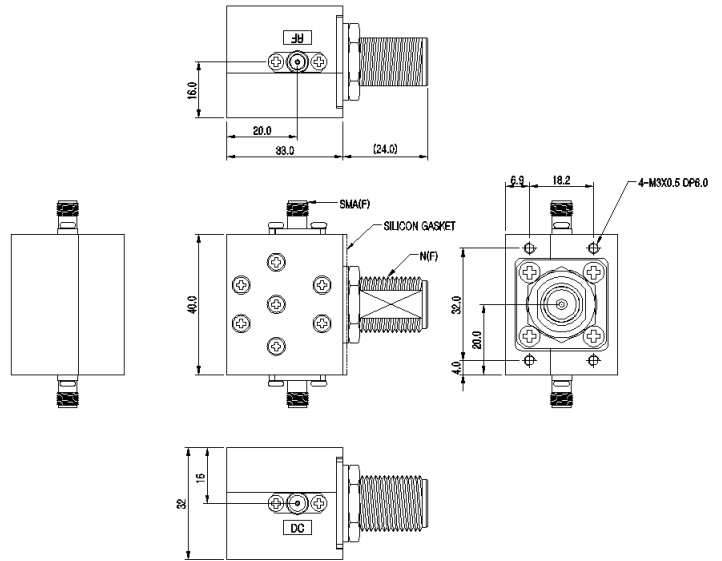


X-Band Bias-T



Item	Specifications	
Frequency Range	7125 ~ 7750 MHz	
Insertion Loss (Max.)	0.5dB	
Return Loss (Min.)	15dB	
Isolation (Min.)	ANT DC	23dB
ANT Port	N - Female	
RF / DC Port	SMA - Female	