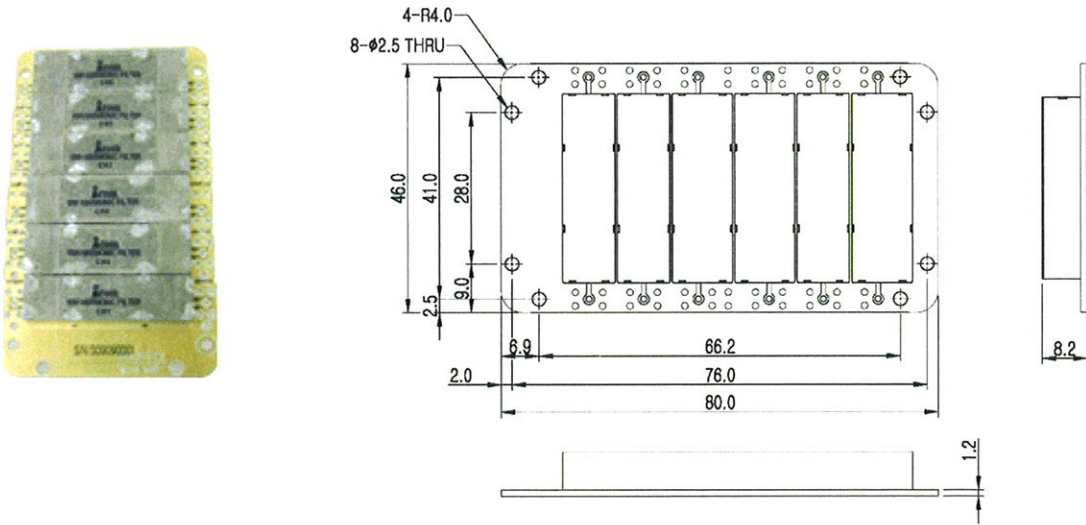
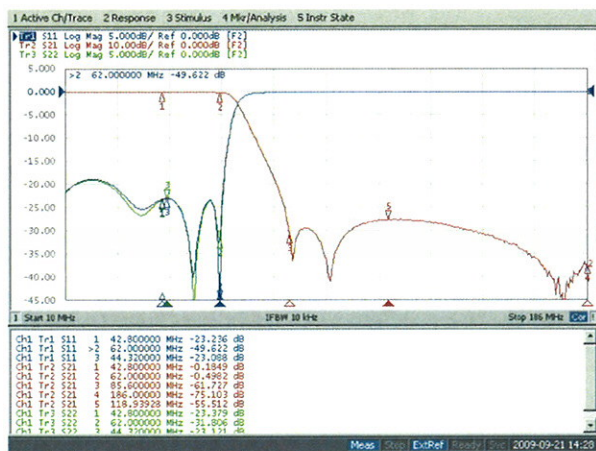


10W Harmonic Filter



Item		Specifications					
		CH1	CH2	CH3	CH4	CH5	CH6
Frequency Range		30~42.8MHz	42.8~62MHz	62~88MHz	108~152MHz	225~330MHz	330~470MHz
Insertion Loss (Max.)		1.0dB					
Return Loss (Min.)		15dB					
Power (Max.)		10W					
Harmonic Rejection	50dBc Min.	60~128.4 MHz	60~128.4 MHz	60~128.4 MHz	60~128.4 MHz	60~128.4 MHz	60~128.4 MHz
Isolation	40dBc Min.	108~470 MHz	108~470 MHz	108~470 MHz	~88MHz, 225~470MHz	~152MHz	~152MHz

[CH2]



[CH4]

